

Quick Start Installation of SubliJet IQ for the Epson 4800 PRO

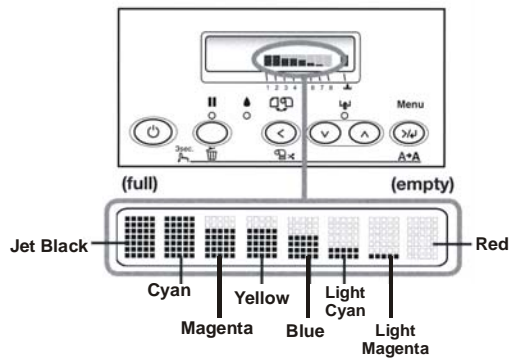


Do not install the Epson Inks provided with the printer. Please call Sawgrass Technical Support if you need assistance installing the SubliJet IQ inks.

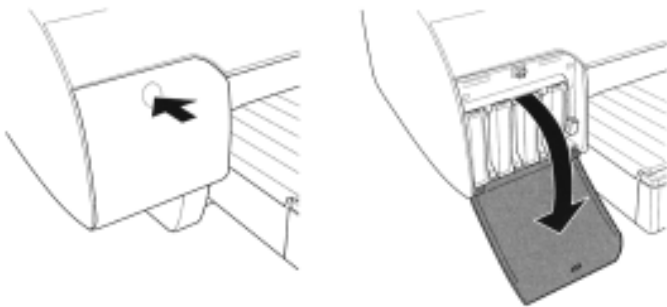
Installing SubliJet IQ™ Cartridges

If you are replacing existing cartridges because they are empty or low, please see the following instructions. If not, go directly to step #1

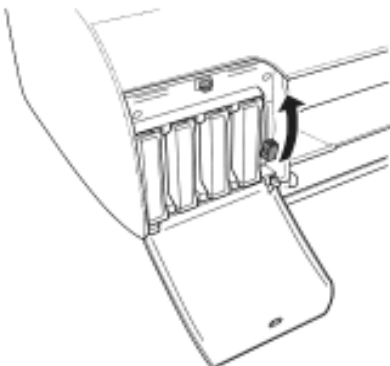
When a cartridge is empty or low, INK LOW or INK OUT will display on the LCD panel. The ink indicator - 8 bars which represent the 8 cartridges on the LCD Panel - will flash indicating which cartridge is low or empty. Ensure you have the correct color cartridge for replacement.



1. Ensure the printer power is on. Press the ink compartment cover to release the latch and open the cover.



3. Raise both ink levers. These are located on the right side of each ink cartridge compartment.

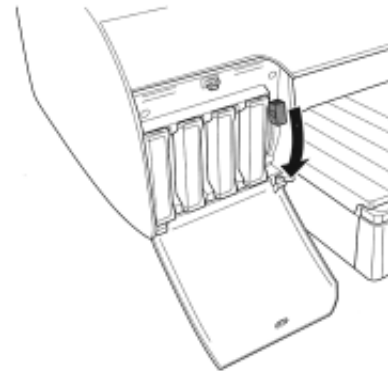
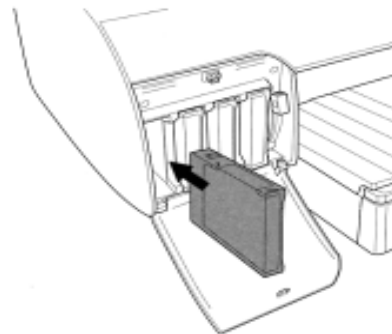


4. Install the ink cartridges into the color-coded slots in the following order starting from left to right:

Jet Black, Cyan, Magenta, Yellow, Blue,
Light Cyan, Light Magenta, and Red

Note: The cartridge label should be facing left as the cartridge is inserted into its slot.

5. After all 8 cartridges are installed, lower the ink levers. The printer will begin charging the ink-delivery system and the pause light will flash.



6. After approximately 2 minutes, ink lever messages will appear on the LCD. Follow the LCD prompts to raise or lower ink levers.

7. Charging is complete when READY appears on the LCD screen. If using the standard size cartridges, close the ink compartment doors. If using the extended cartridges, the doors will remain open.