

Ricoh GX e3300N / GX e7700N / GX7000 Adjustment Guide

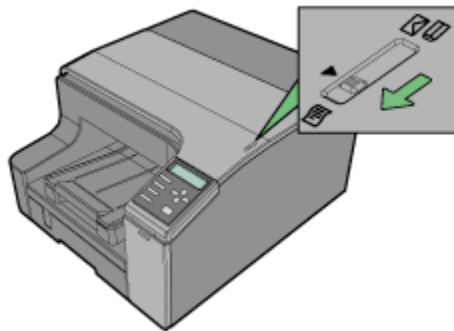
If you are experiencing banding, you may need to adjust the Paper Feed and/or Print Head Positions. Before performing any adjustments, you will need to update the Ricoh GX e3300N, GX7000, or GX e7700N Product Firmware and RPCS Raster Driver to the latest version.

- 1.) Begin by visiting Ricoh's website at www.ricoh-usa.com. Once there, click **Downloads > Download Ricoh Drivers & Software**.
- 2.) You will receive a **Software License Agreement** prompt. If you agree with the terms, click **OK**.
- 3.) Next, click the drop-down arrow below **Printers > B&W/Color/Gel** and select **Aficio GX e3300N, GX7000, or Aficio GX e7700N**. After you select your printer, click **Go > firmware**. Here, you will select the **latest RPCS Raster Driver version available** for your operating system and the **Product Firmware Update**.
- 4.) Follow the prompts to download and install the latest **Product Firmware Update** and the **RPCS Raster Driver**.

Paper Feed Adjustment

If horizontal lines are printed unaligned, print images are patchy, or a black or white line is printed at regular intervals, print a test pattern, and then adjust the paper feed setting.

- 1.) Slide the envelope selector to  the forward position.



BPR137S

- 2.) Press the **[Menu]** key.



BPR127S

Adjustment Guide *(continued... 2:5)*

3.) Press the [▲] or [▼] key to display **[Maintenance]**, and then press the [#Enter] key.

```
M e n u :  
M a i n t e n a n c e
```

4.) Press the [▲] or [▼] key to display **[Adj.Paper Feed]**, and then press the [#Enter] key.

```
M a i n t e n a n c e :  
A d j . P a p e r F e e d
```

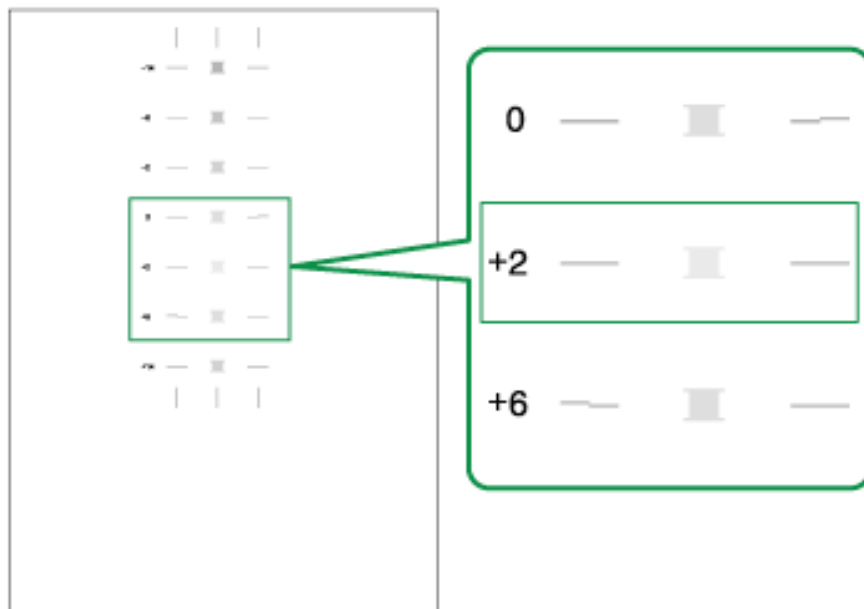
5.) Press the [▲] or [▼] key to display **[Pr.Test Pattern]**, and then press the [#Enter] key.

```
A d j . P a p e r F e e d :  
P r . T e s t P a t t e r n
```

NOTE: A test pattern to adjust paper feed is printed.

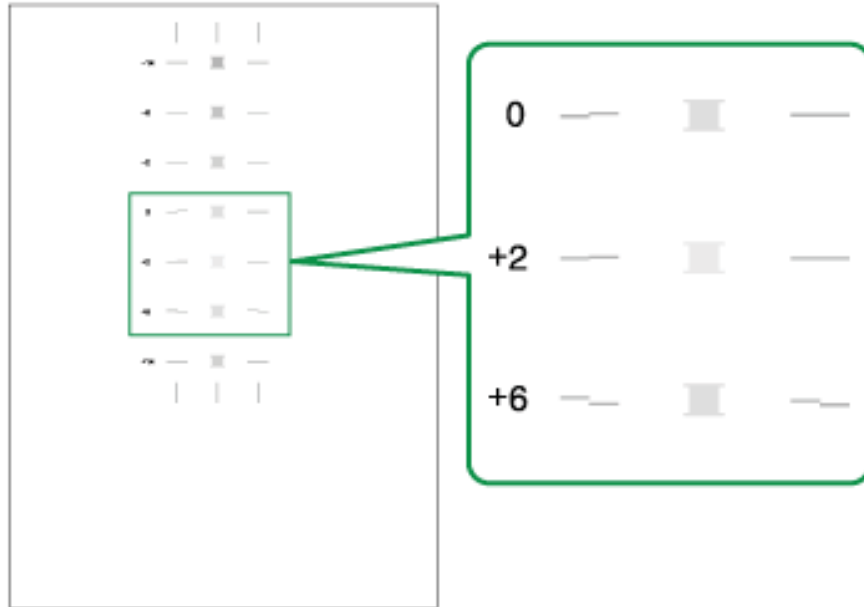
6.) Check the optimal adjustment values on the printed test pattern.

The optimal adjustment value is the number that appears on the left of the lightest gray square with straight horizontal lines on both sides. When this number is “+2”; the optimal adjustment value is “+2”.



Adjustment Guide *(continued... 3:5)*

When horizontal lines beside the lightest gray square are broken, select the optimal adjustment value by referring to the lines broken in the opposite direction. When the “+2” square is the lightest gray square and the “+6” horizontal lines are broken in the opposite direction, the optimal adjustment value is between “+3” and “+5”. After adjustment, check the adjustment result.



7.) Press the [▲] or [▼] key to display **[Adjustment]**, and then press the [#Enter] key.

```
Adj . Paper Feed :
  Adjustment
```

8.) Press the [▲] or [▼] key to enter the **adjustment value (-14 to +14)** from step 6, and then press the [#Enter] key.

```
A :
( - 1 4 ,   + 1 4 )      0
```

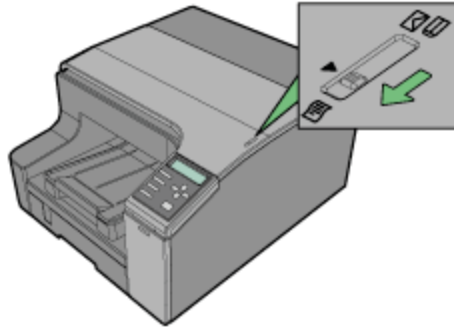
9.) Press the **[Online]** key.

The initial screen appears.

Head Position Adjustment

Follow the procedure below to print a test pattern and adjust the print-head positions if vertical lines are printed unaligned or printed colors look blurred.

- 1.) Slide the envelope selector to  the forward position.



BPR1375

- 2.) Press the **[Menu]** key.



- 3.) Press the **[▲]** or **[▼]** key to display **[Maintenance]**, and then press the **[#Enter]** key.

```
M e n u :  
M a i n t e n a n c e
```

- 4.) Press the **[▲]** or **[▼]** key to display **[Head Position]**, and then press the **[#Enter]** key.

```
M a i n t e n a n c e :  
H e a d P o s i t i o n
```

- 5.) Press the **[▲]** or **[▼]** key to display **[Pr.Test Pattern]**, and then press the **[#Enter]** key.

```
A d j . P a p e r F e e d :  
P r . T e s t P a t t e r n
```

SubliJet-R & ChromaBlast-R: Ricoh GX e3300N / GX e7700N / GX7000
Adjustment Guide (continued... 5:5)

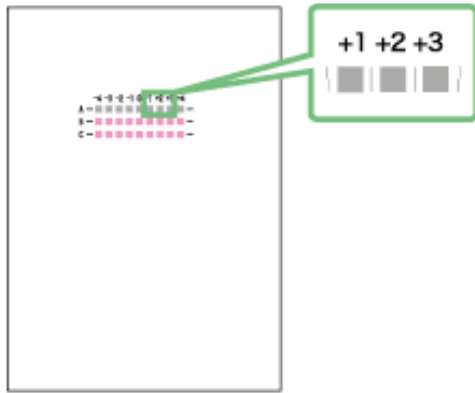
6.) Press the [▲] or [▼] key to select a test pattern, and then press the [#Enter] key.

```
Pr . Test Pattern :  
High Quality
```

To adjust print-head positions for all resolutions, repeat this procedure selecting the other resolution.

NOTE: A test pattern to adjust print-head positions is printed.

7.) Press the [▲] or [▼] key to select a test pattern, and then press the [#Enter] key.



8.) Press the [▲] or [▼] key to display **[Adjustment]**, and then press the [#Enter] key.

9.) Press the [▲] or [▼] key to select a resolution from step 6, and then press the [#Enter] key.

```
A d j u s t m e n t :  
High Quality
```

10.) Press the [▲] or [▼] key to select a line, and then press the [#Enter] key.

```
A d j u s t m e n t :  
1 . A
```

11.) Enter the optimal adjustment values from step 7, and then press the [#Enter] key.

```
A :  
( - 4 , + 4 ) 0
```

12.) Press the [Online] key.

The initial screen appears.